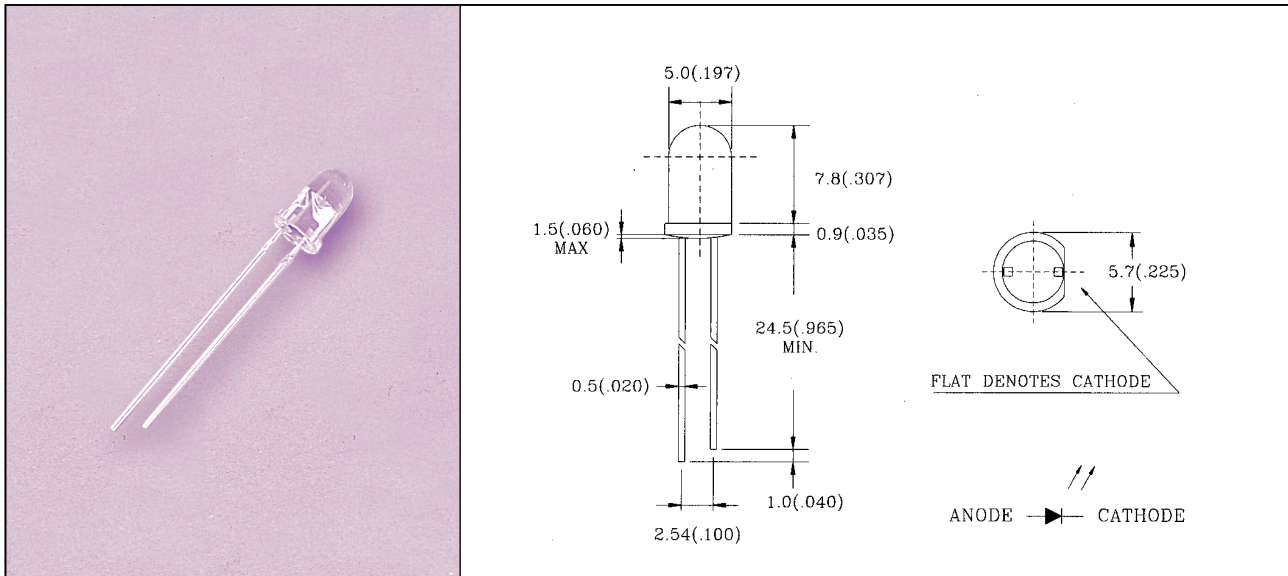


L-51XEIR4C 5.0mm INFRARED EMITTING DIODE



◆ABSOLUTE MAXIMUM RATING:(Ta=25°C)

Part No.	P _D (mw)	V _{(BR)R} (V)	Topr	Tstg
L-51XEIR4C	100	5	-35°C to 85°C	-35°C to 85°C
PARAMETER	Power Dissipation	Reverse Voltage	Operating Temperature Range	Storage Temperature Range
Lead Soldering Temperature {1.6mm(0.063 inch)From Body}250°C ±5°C For 3 Seconds				

◆ELECTRO-OPTICAL CHARACTERISTICS:(Ta=25°C)

Part No.	V _F (V)			I _R (μA)			λ _p (nm)			2θ 1/2 (dgc)			I _e (mw/sr)		
	MIN	TYP	MAX	MIN	TYP	MAX	MIN	TYP	MAX	MIN	TYP	MAX	MIN	TYP	MAX
L-514EIR4C		1.6	1.9			10		850			20		30	60	
L-515EIR4C		1.6	1.9			10		850			25		28	55	
L-516EIR4C		1.6	1.9			10		850			30		26	50	
L-517EIR4C		1.6	1.9			10		850			35		24	45	
L-518EIR4C		1.6	1.9			10		850			40		22	40	
L-51AEIR4C		1.6	1.9			10		850			50		20	35	
TEST CONDITION	I _F =50mA I _F =100mA			V _R =5V			I _F =20mA			I _F =20mA			I _F =20mA		

BC=BLUE CLEAR D1,D2=BLACK

1.All dimension are in millimeters(inches).

2.Tolerance is ±0.25mm(0.01")unless otherwise specified.

Ozn. MARITEX:

L-IR-ED5C-850 - L-514EIR4C