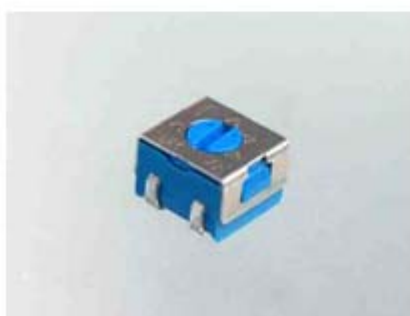

WIBC1804 (3314)



4mm Square SMD Trimming potentiometer

Features

Surface Mount 4mm Square

Singleturn / Cermet / Industrial / Sealed

Compatible with surface mount manufacturing processes

Compatible with popular vacuum pick-and-place equipment

Electrical Characteristics

Standard Resistance Range:	10 to 2 megohms(see standard resistance table)
Resistance Tolerance:	$\pm 10\%$ or $\pm 20\%$ std.(tighter tolerance available)
Absolute Minimum Resistance:	1% or 2 ohms max.(whichever is greater)
Contact Resistance Variation:	3% or 3 ohms max.(whichever is greater)
Resolution:	Essentially Infinite
Insulation Resistance(500 vdc):	1,000 megohms min.
Dielectric Strength:	101.3 kPa 500 vac 8.5 kPa 200 vac
Effective Travel:	210° nom.

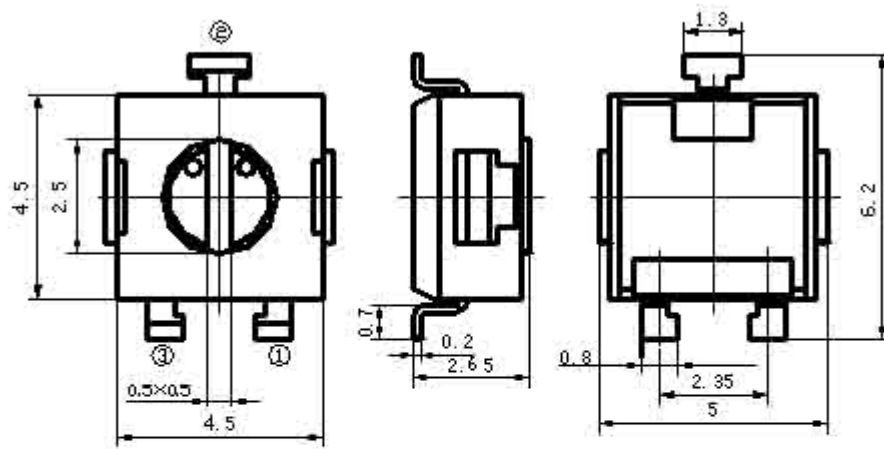
Environmental Characteristics

Power Rating (200 volts max.):	0.25 watt (70°C), 0 watt (125°C)
Temperature Range:	-55°C to +125°C
Temperature Coefficient:	$\pm 100\text{ppm}/^\circ\text{C}$ or $\pm 250\text{ppm}/^\circ\text{C}$
Vibration:	98 m/s ² (1% Δ TR; 1% Δ VR)
Shock:	490 m/s ² (1% Δ TR; 2% Δ VR)
Load Life:	1,000 hours 0.25 watt @ 70°C (3% Δ TR; 3% or 3 ohm, whichever is greater, CRV)
Rotational Life:	200 cycles (3% Δ TR; 3% or 3 ohm, whichever is greater, CRV)
Thermal Shock:	5 cycles (2% Δ TR; 1% Δ VR)

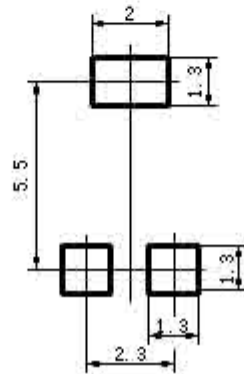
Physical Characteristics

Mechanical Angle:	270° nom.
Torque:	10 mN • m max.
Stop Strength:	25 mN • m min.
Wiper:	Set at 50% nominal

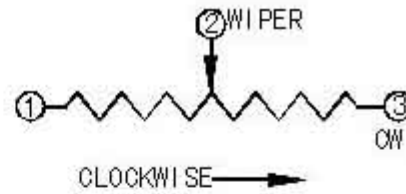
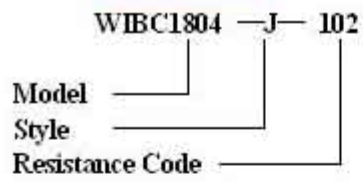
WIBC1804 (3314) -G DIMENSIONS



RECOMMENDED PCB LAYOUT



How to order



standard Resistance Table

Resistance (Ohms)	Resistance Code
10	100
20	200
50	500
100	101
200	201
500	501
1,000	102
2,000	202
5,000	502
10,000	103
20,000	203
25,000	253
50,000	503
100,000	104
200,000	204
250,000	254
500,000	504
1,000,000	105
2,000,000	205

Special resistance available

Detail Specification: Q/RYS17-2007