



FOR APPROVAL
承认书

CUSTOMER/客户:

TYPE/类型: LED SUPPLY POWER

PART NO./物料编号:

MODEL NO./主机型号: SLP03SS1

SERIAL NO./序列号:

DESIGN/编制:

APPROVAL/批准:

*AUTHORIZED SIGNATURE
& COMPANY CHOP*
客户认可回签(章)

EAGLERISE ELECTRIC & ELECTRONIC (Foshan) CO., LTD.

Add: Guicheng Sci-Tech Industrial Park, Jianping Road, Nanhai District, Foshan City, Guangdong Province, P.R. China

Tel: (0757) 86256810 86256873

Fax: (0757) 86256788

一、 Technical Data

| Item | Electric parameter /Standard/Specification |
|------------------------------|---|
| 1、 Input rated voltage | 100~240VAC |
| 2、 Input frequency | 50~60Hz |
| 3、 Input current | 0.08A |
| 4、 Input power factor | $\text{COS } \phi \geq 0.5$ |
| 5、 Constant voltage | DC6V $I \leq 650\text{mA}$ |
| 6、 Constant current | DC700mA 0.5V-4V |
| 7、 Ta | 50°C |
| 8、 Tc | 85°C |
| 10、 Short circuit protection | Provided with short circuit protection, renewable |
| 11、 Over heat protection | Provided with overheat protection, renewable |
| 12、 Surge testing | EN61000-4-5 |
| 13、 Electrical strength test | 4.2KV/5mA/1min |
| 14、 Conduction testing | EN55015 |
| 15、 Static testing | EN61000-4-2 |
| 16、 Size | 52.5*26.4*21 |

二、 User manual

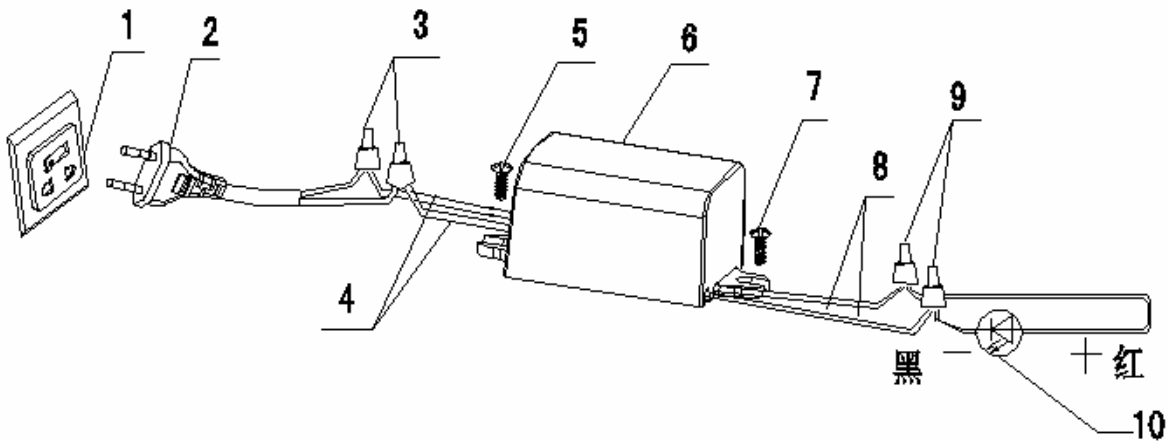
1、 Technical Parameter

- a) Input voltage: 100—240VAC, 50/60Hz
- b) Output constant current: DC700mA loading voltage 0.5~4V
- c) Output constant voltage: DC6V, loading current $\leq 650\text{mA}$

2、 Application and features

- a) Short circuit protection and overheat protection are available in output end.
- b) This LED driver could apply power for 1pcs LED with 3W, 700mA of each.(Note: LEDs must be connected in series in same polarity. Extra current limiting resistor is unnecessary)
- c) This LED driver could be used as 6V direct current stabilizing voltage power source and current should be 650mA.

3、 Install schematics



4、 Operational surroundings

- a) Output Red wire “+”, Black wire “-” must be connected with positive and negative pole of loads respectively.
- b) 3W LED could be used singly, must be connected in same polarity and current is 700mA.
- c) In case it was used as DC stabilizing voltage power source, loading current must be $\leq 650\text{mA}$, Once loading current exceed 1.1 times of rated current, output voltage would fall down to gain constant current.
- d) Ambient temperature $\leq 50^{\circ}\text{C}$.
- e) The minimum length of output lead is 0.1m and maximum length must not exceed 2.5m.

| | | |
|------|---|---------------------------------|
| 10 | LED | |
| 4 | Output wire | 1015/TY1989/32 18/FEP |
| 8 | Input wire | 1672/TY1990/70 22/FT-FEP-102 |
| 6 | LED power supply | SLP03SS1 |
| 5、 7 | Screw | |
| 3、 9 | Terminal blocks Or screw-on wire connector | |
| 2 | Plug | |
| 1 | Socket | |
| N0. | NAME | REMARK |

5. Caution

- a) Please install the driver into an untouchable place, i.e. inside of light fixture.
- b) Applicable operational ambient temperature: $-20\sim 50^{\circ}\text{C}$.

6. Size

