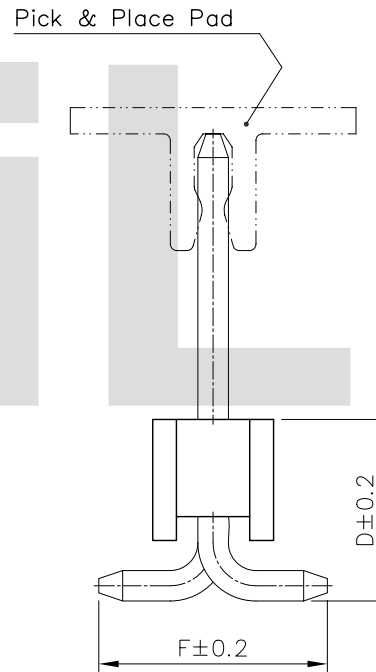
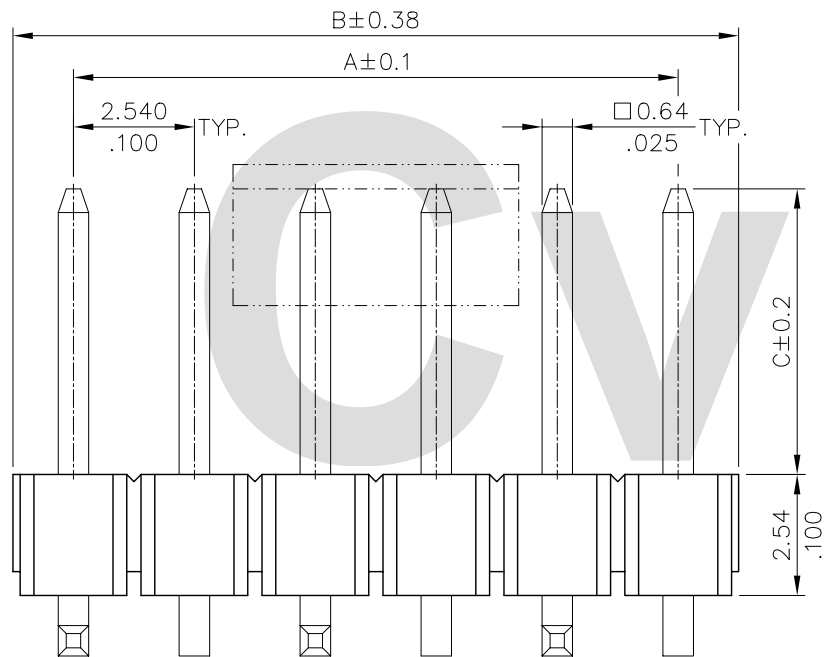


Recommended P.C. Board Layout



DIM. A = 2.54 X No. of Spaces
 DIM. B = DIM. A + 2.36

* Available in 2 through 40 Circuits

Notes:

* Material:

Insulator: Nylon 6T With 30% GF.

UL 94V-0 Color Black

Square Pin: Brass

Pick & Place Pad:

Nylon 6T UL 94V-0 Color Nature

△ * Pin overall Length 30.0mm Max.

Ordering Code:

CH31 ** * M 1 ** - 0 *

① ② ③ ④ ⑤ ⑥ ⑦ ⑧

① Series No.

② No. of Contact: 02 to 40

③ Plating code:

1=3.05μm(120μ") Min. Tin
 over 0.79μm(30μ") Nickel

2=Gold Flash plated over
 1.27μm(50μ") Nickel

3=0.38μm(15μ") Gold plated
 over 1.27μm(50μ") Nickel

4=0.76μm(30μ") Gold plated
 over 1.27μm(50μ") Nickel

④ Tail & Mounting Style:

M=Straight SMT Type

⑤ Insulator Material & Color:

1=Nylon 6T , Color Black

⑥ Option Code:


See Table PDF. File No. CH3167T

⑦ Pin Size: 0=Original design

⑧ 0=Without Pick & Place Pad
 (Tube packaged)

P=With Pick & Place Pad
 (Tape & Reel packing)

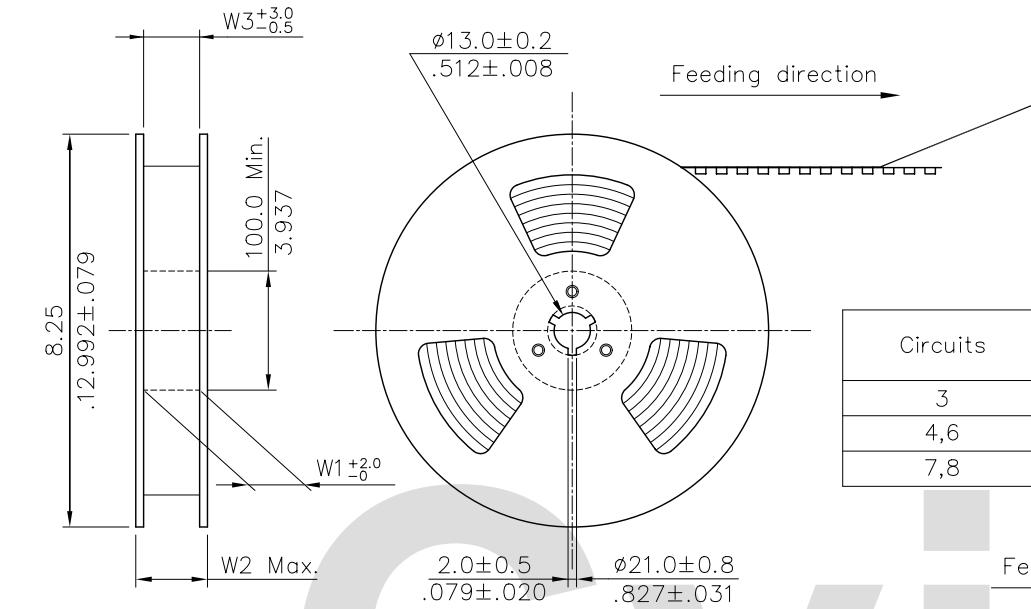
RoHS Compliant

⑤	Sun	10/6-08'	ECN08478/ECR08118-1		DATE	UNIT: mm / inch	TITLE: 2.54mm(.100") SINGLE ROW SURFACE BOARD MOUNT PIN HEADER	 瀚荃股份有限公司 CviLux Corporation
④	Sun	9/06-07'	ECN07374	DRAWN BY: Sun	10/07-08'	TOLERANCE UNLESS OTHERWISE SPECIFIED	MATERIAL:	
③	Sun	7/13-07'	ECN07250	ENGINEER: Easley	10/07-08'	.X ± 0.25/.010 X' ± 1'	FINISH:	
②	Sun	5/07-04'	ECN04183	CHECKED BY: Alex	10/07-08'	.XX ± 0.15/.006 .X' ±	DRAWING NO. CH3167SF PART NO. CH31***M1**-0*	
SYM	NAME	DATE	REVISIONS	APPROVED BY: Alex	10/07-08'	.XXX ± 0.10/.004 .XX' ±	SCALE 6 / 1 SHEET 1 OF 2	

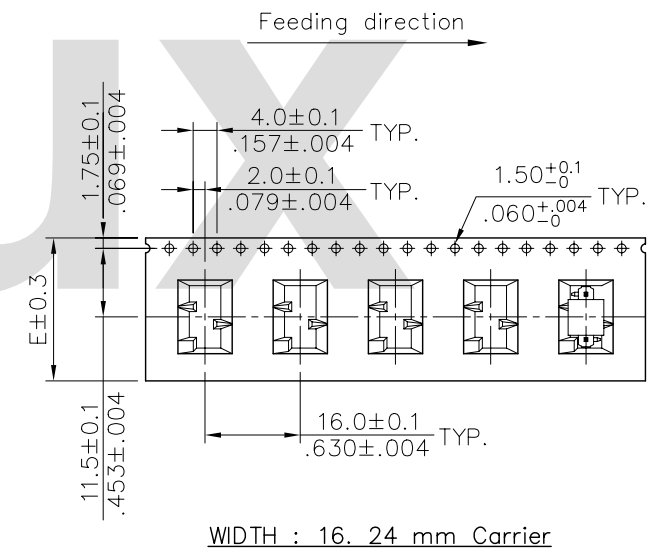
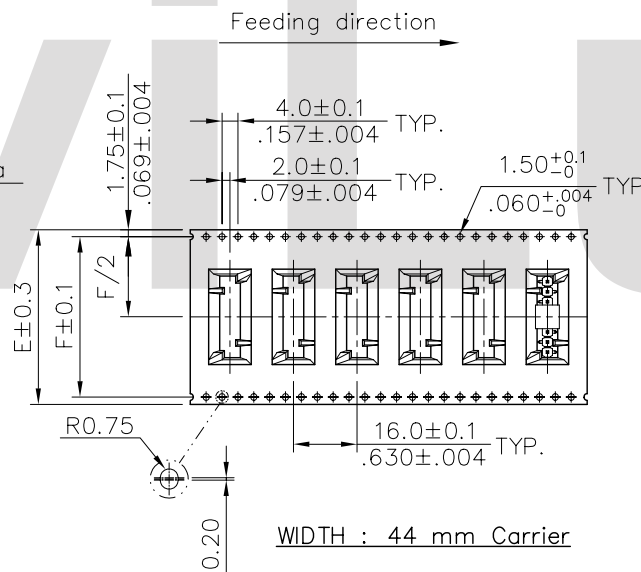
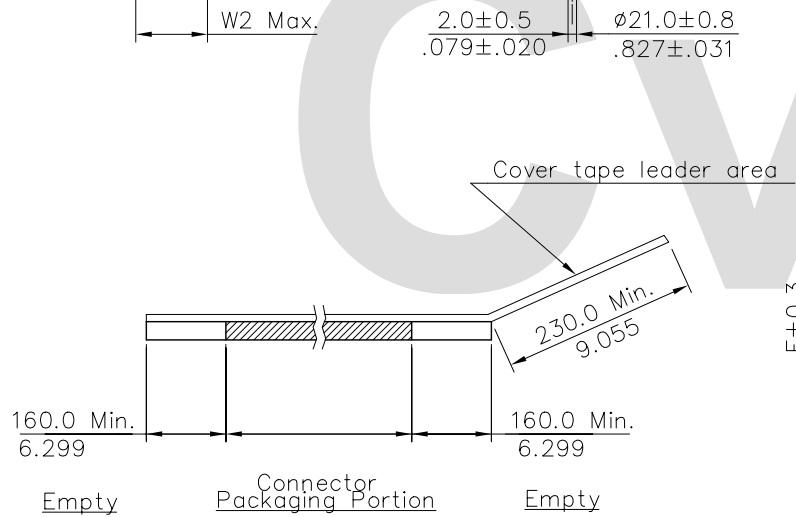
CIVILUX.XORP
 2008.10.14
 ISSUED

NOTES:

1. 10 sprocket hole pitch cumulative tolerance ± 0.20 .
2. Carrier camber is within 1 mm in 100 mm.
3. Material : Clear,Transparent Polystyrene Alloy (UP-6000).
4. All dimensions meet EIA-481-C requirements.
5. Thickness : 0.50 ± 0.05 mm.
6. Packing length per 22" reel : 18.6 Meters.
7. Component load per 13" reel : 350 pcs.



Circuits	Dimension					Packing (Reel/Caton)
	E	F	W1	W2	W3	
3	16.0(.630)	-	16.5(.650)	22.5(.886)	16.5(.650)	11
4,6	24.0(.945)	-	24.5(.965)	30.5(1.201)	24.5(.965)	9
7,8	44.0(1.732)	40.40(1.596)	44.5(1.751)	50.4(1.984)	44.5(1.751)	5



WIDTH : 44 mm Carrier

WIDTH : 16. 24 mm Carrier

RoHS Compliant

SYM	NAME	DATE	REVISIONS	APPROVED BY:	DATE	UNIT: mm / inch	TITLE: TAPE & REEL PACKAGING FOR CH31 SERIES SMT TYPE	MATERIAL:	FINISH:	DRAWING NO.	PART NO.	SHEET 2 OF 2
5	Sun	10/6-08'	ECN08478/ECR08118-1									
4	Sun	9/06-07'	ECN07374	DRAWN BY: Sun	10/07-08'							
3	Sun	7/13-07'	ECN07250	ENGINEER: Easley	10/07-08'							
2	Sun	5/07-04'	ECN04183	CHECKED BY: Alex	10/07-08'							
				APPROVED BY: Alex	10/07-08'							

CIVILUX.XORP
2008.10.14
ISSUED

瀚荃股份有限公司
CviLux Corporation