

## SLIDE SWITCH FOR P.C.B. ESP-SPDT SERIES



**ESP10XX**



**ESP20XX**



**ESP30XX**



**ESP40XX**

### ■ FEATURES

- The distance of 2 adjacent pins or stacked devices is 2.54 mm pitch
- All plastics are UL 94V-O grade fire retardant
- Low contact resistance and long mechanical life, suitable for signal switching and communication equipments.

### ■ APPLICATIONS

- Measuring point changeover switches
- Service switch
- Controls for consumer devices

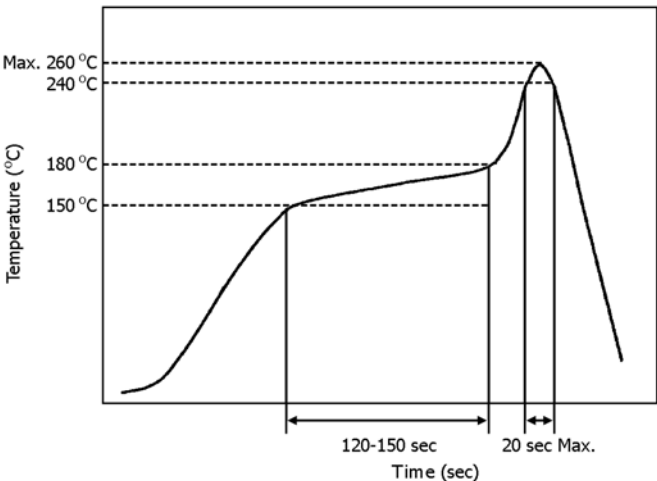
### ■ SPECIFICATIONS

#### ◆ SPDT TYPE (ESP10,20,30,40 Series)

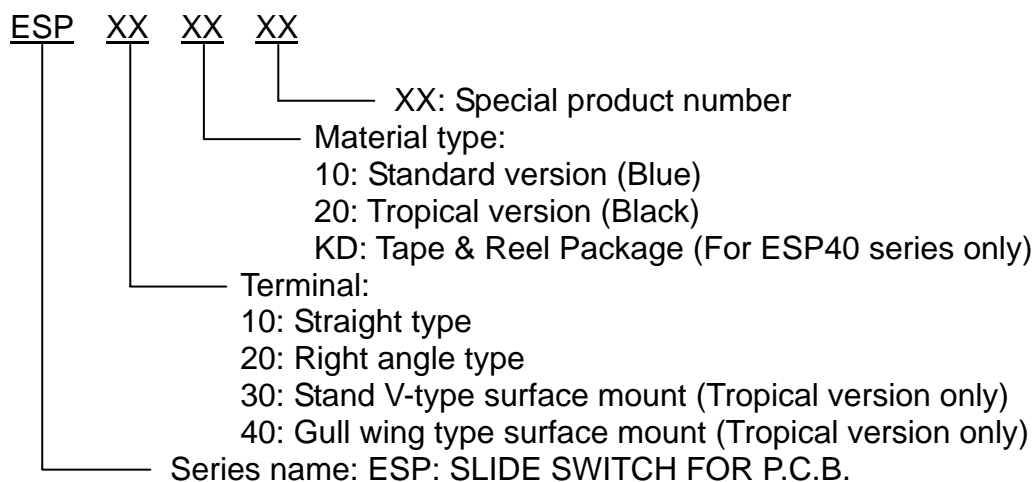
##### 1. ELECTRICAL CHARACTERISTICS

● Contact rating	0.2A, 24VDC; 0.5A, 12VDC
● Minimum contact rating	1mA, 10mV
● Contact resistance	Initial: 50m $\Omega$ Max.
	After life test: 100m $\Omega$ Max.
● Dielectric strength	2mA, 500VDC for 60sec.
● Capacitance	1.5pF Max.
● Insulation resistance	10000M $\Omega$ Min. under 500VDC
● Mechanical life	5000 operations

## 2. GENERAL CHARACTERISTICS

● Temperature range	operating	-25°C ~ +70°C
	storage	-40°C ~ +85°C
● Solder temperature	230°C for 3 sec.	
● Vibration	normal operation at 10Hz to 60Hz, 1.5mm movement	
● Salt spray	35°C, 5% for 24hours	
● Reflow soldering heat for SMT type (reference)		

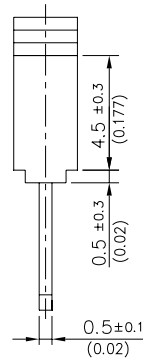
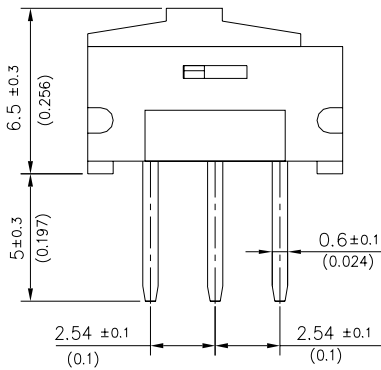
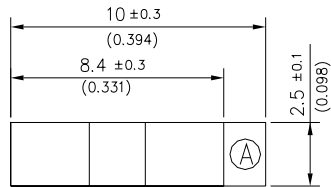
## ■ PART NUMBERING SYSTEM



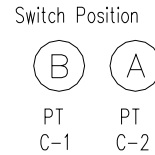
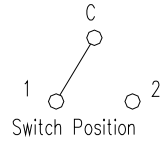
**■ DIMENSIONS AND CIRCUITRY**

DIMENSIONS Unit: mm(inch)

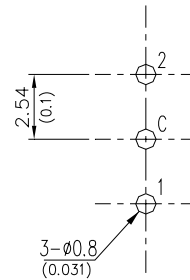
P/N.: ESP10XX



CIRCUIT DIAGRAM

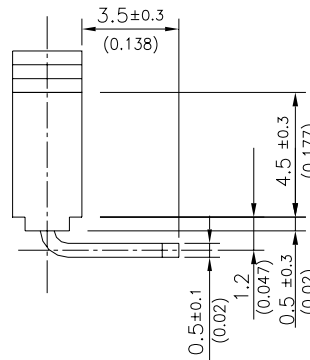
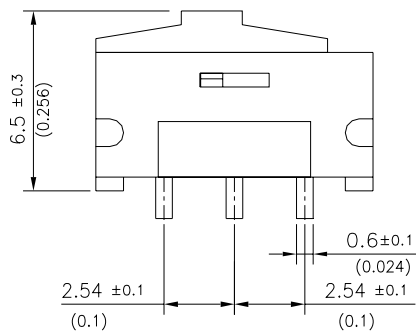
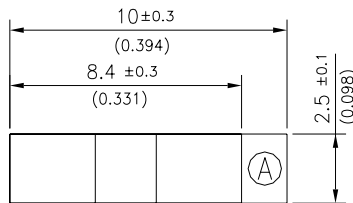


P.C.B. LAY OUT

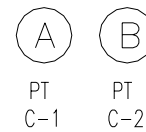
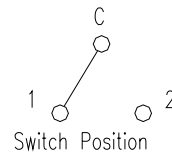


DIMENSIONS Unit: mm(inch)

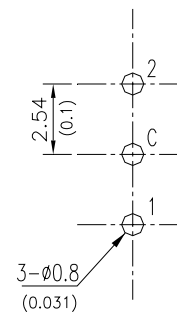
P/N.: ESP20XX



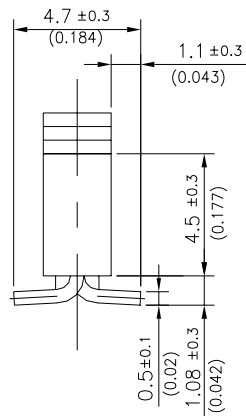
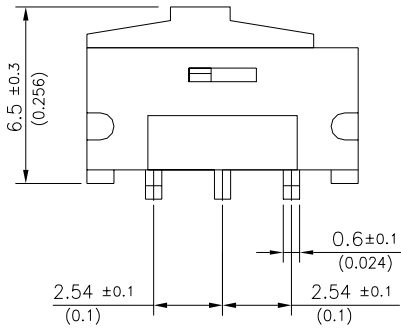
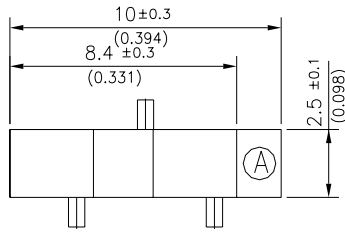
CIRCUIT DIAGRAM



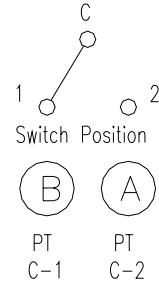
P.C.B. LAY OUT



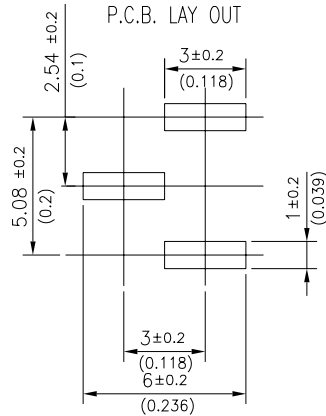
DIMENSIONS Unit: mm(inch)  
P/N.: ESP30XX



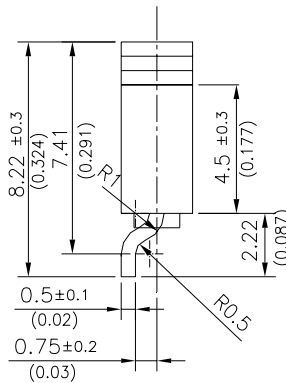
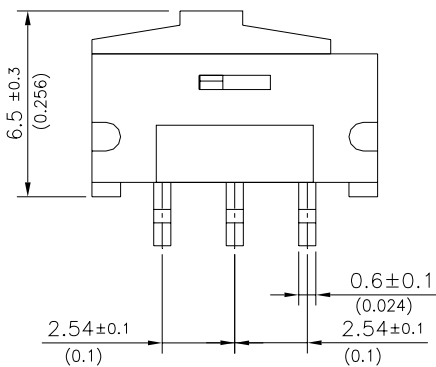
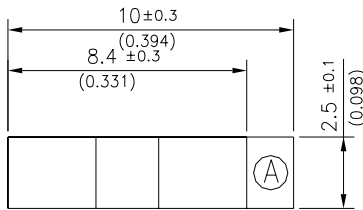
CIRCUIT DIAGRAM



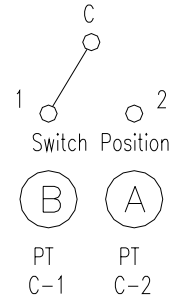
P.C.B. LAY OUT



DIMENSIONS Unit: mm(inch)  
P/N.: ESP40XX



CIRCUIT DIAGRAM



P.C.B. LAY OUT

