

# SW-M21

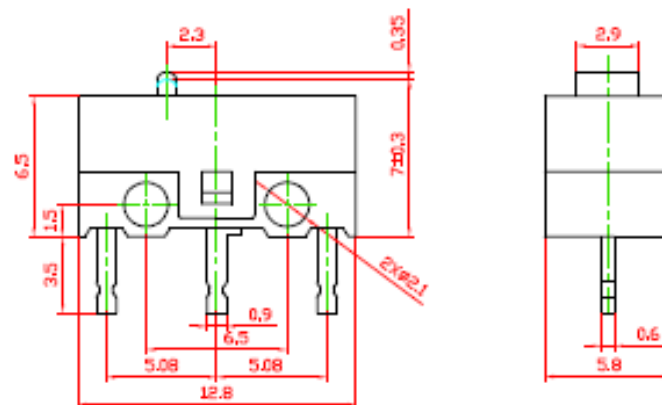
## Micro Switches

<TYPE> MSW-21

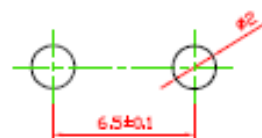
### Specification

- 1.(Rating):1A 125/250V AC
- 2.(Contact R): 30 OHM  $R_{max}$
- 3.(Insulation R): 250V DC 100 OHM  $R_{min}$
- 4.(Dielectric Strength):1 Minute 1000V AC
- 5.(Ambient Temperature): $-25^{\circ}\text{C}+65^{\circ}\text{C}$
- 6.(Electrical Life):30,000 Cycles

### Outline Drawing



### Mounting



### Circuitry

