

# SW-RLS102E5

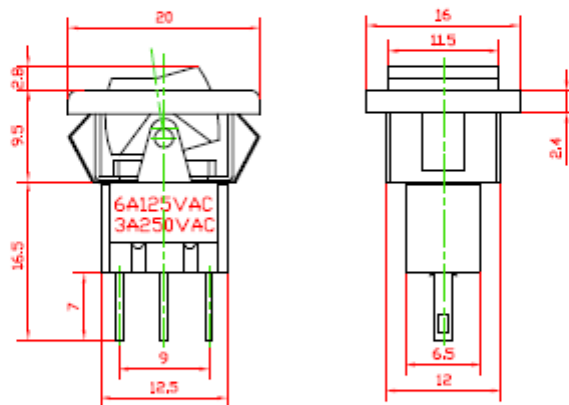
## Miniature Rocker and Lever hander Switch

<TYPE>RLS-102-E5

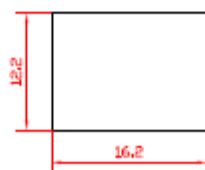
### Specification

- 1.(Rating): 6A 125VAC; 3A 250VAC
- 2.(Contact R): 20 OHM  $\varnothing$  max
- 3.(Insulation R): 500VDC 1000 OHM  $\varnothing$  min
- 4.(Dielectric Strength): 1 Minute 1500V AC
- 5.(Operating Temperature): -55°C+85°C
- 6.(Electrical Life): 20,000 Cycles

### Outline Drawing



### Mounting



### Circuitry

