

SW-RLSM102A2T

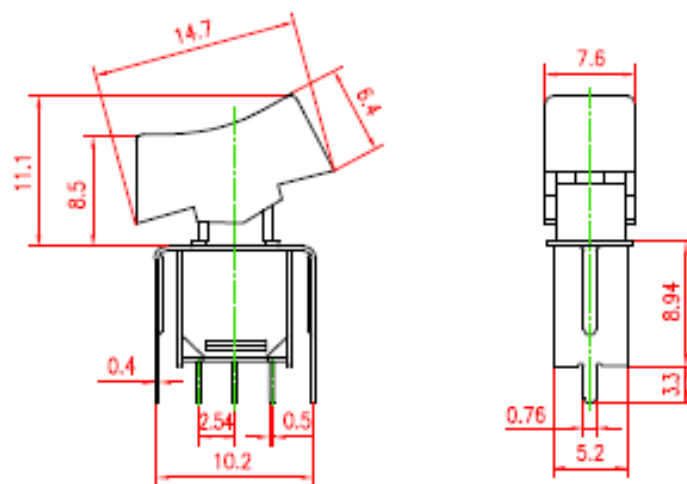
Sub-Miniature Rocker and Lever handle Switch

<TYPE> SRLS-102-A2T

Specification

- 1.(Rating): 3A 125V AC; 1.5A 250V AC
- 2.(Contact R): 20 OHM \varnothing max
- 3.(Insulation R): 500V DC 1000 OHM \varnothing min
- 4.(Dielectric Strength): 1 Minute 1000V AC
- 5.(Operating Temperature): -20°C+65°C
- 6.(Electrical Life): 20,000 Cycles

Outline Drawing



Mounting



Circuitry

