

# SW-RMI201A

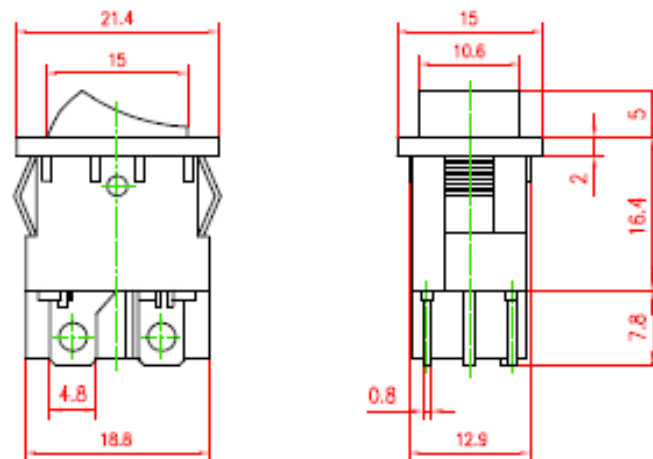
## Miniature Illuminated Rocker Switch

<TYPE> MIRS-201A

### Specification

- 1.(Rating):10A 125V AC; 6A 250V AC
- 2.(Contact R): 35 OHM  $\rho_{max}$
- 3.(Insulation R): 500V DC 100 OHM $\rho_{min}$
- 4.(Dielectric Strength):1 Minute 1500V AC
- 5.(Operating Temperature): -30°C+80°C
- 6.(Electrical Life):10,000 Cycles

### Outline Drawing



### Mounting



### Circuitry

