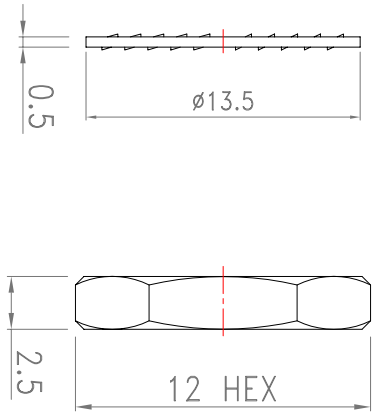
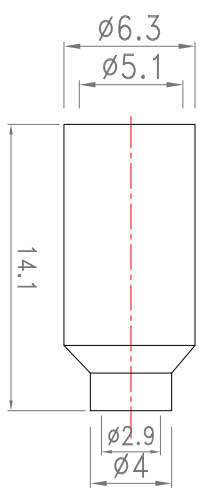
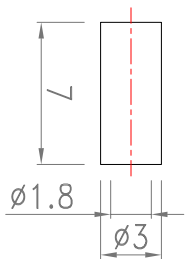
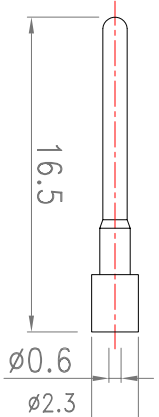
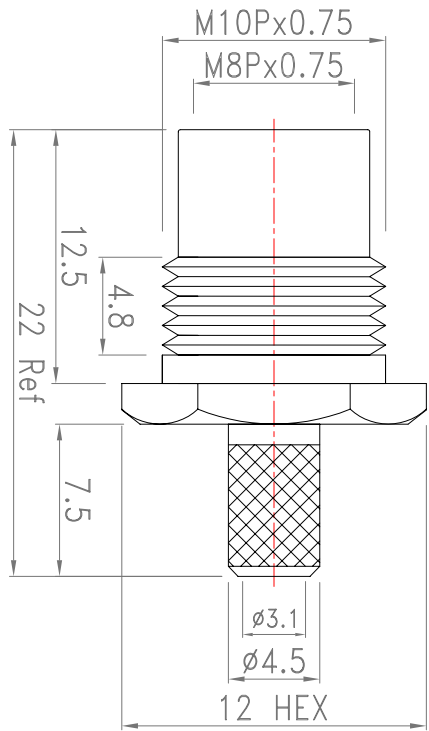


Revisions

ISS	Symbol	Description	Date
B		CHE for New Drawing Frame & New PN System	2006/07/10

Outline Drawing



ITEM	Description	Material	Finish	Part Number	QTY	Scale	Abbr.	Date	Rev.
5	Nut	Brass	Nickel			NTS	ST	2007.04.18	B
5	Washer	Steel	Nickel						
4	Ferrule	Brass	Nickel						
3	Pin	Brass	Gold						
2	Insulator	Delrin	None						
1	Body	Brass	Nickel						

Proprietary Note
 This document contains information proprietary to S-Comm, which is either copyrighted, or patent applied for, and / or protected by trade secret laws.
 This document or parts thereof, may not be used, disclosed or reproduced in any form by any method, or for any purpose, without the written permission of S-Comm, Taiwan.
 Customer P/N: Nil

DWG.NO. A108D0N02-M
 TITLE: FME Bulkhead Crimp Plug for RG174 Cable

ROHS COMPLIANCE



S-Comm Enterprise Co., Ltd
 ISO 9001 Certified