
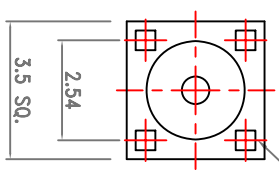
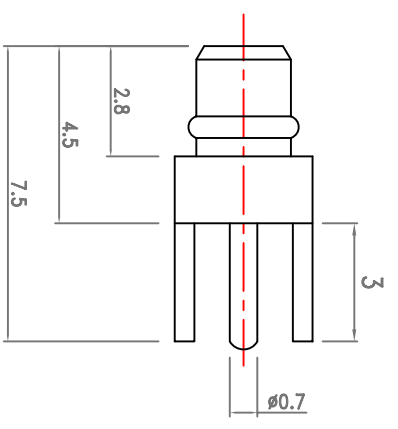
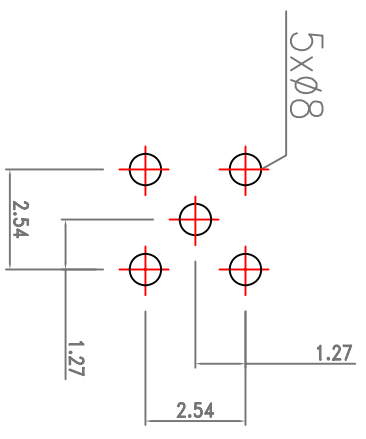


Revisions			
ISS	Symbol	Description	Date
B		CHE for New Drawing Frame & New PN System	2006/07/10



4x0.5 SQ.



Recommended PCB Layout

ROHS COMPLIANCE

ITEM	Description	Material	Finish	Part Number	QTY
3	Pin	Brass	Gold		
2	Insulator	PTFE	None		
1	Body	Brass	Gold		

Scale	Abbr.	Date	Rev.
NTS	ST	2007.04.11	B


Tolerances :	All Dimensions in mm (Unless Otherwise Specified)
.X ±0.5	
.XX ±0.3	
.XXX ±0.2	

Drawn	Checked	Approved
<i>Ryuan</i> 2007.04.11	<i>Ryuan</i> 2007.04.11	<i>g. Jun</i> 2007.04.11

Proprietary Note
 This document contains information proprietary to S-Conn, which is either copyrighted, or patent applied for, and / or protected by trade secret laws.
 This document or parts thereof, may not be used disclosed or reproduced in any form by any method, or for any purpose, without the written permission of S-Conn, taken Customer P/N: Nil

DWG.NO. MM106A0G01

TITLE: MMCX Straight Plug PCB Type



ISO 9001 Certified

S-Conn Enterprise Co., Ltd