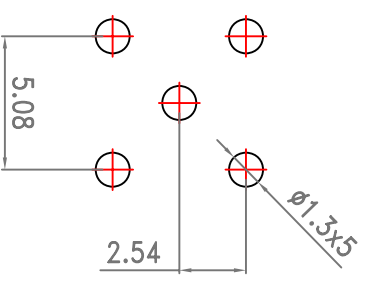
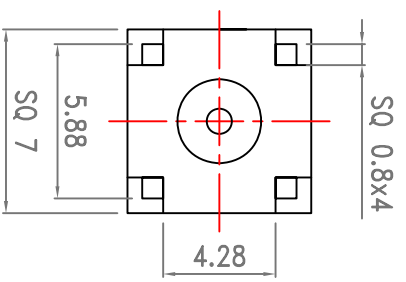
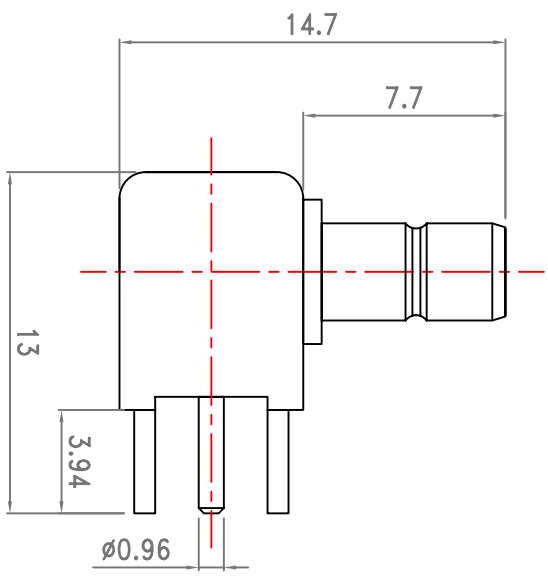


Revisions			
ISS	Symbol	Description	Date
B		CHE for New Drawing Frame & New PN System	2006/07/10



Recommended PCB Layout

ROHS COMPLIANCE

3	Pin	Brass	Gold		
2	Insulator	PTFE	None		
1	Body	Brass	Gold		
ITEM	Description	Material	Finish	Part Number	QTY

Scale	Abbr.	Date	Rev.
NTS	ST	2004.04.10	B
Tolerances :			
.X	±0.5	All Dimensions in mm (Unless Otherwise Specified)	
.XX	±0.3		
.XXX	±0.2		
Drawn	Checked	Approved	
<i>Ryuan</i>	<i>Ryuan</i>	<i>Y. Jun</i>	
2004.04.10	2004.04.10	2004.04.10	

Proprietary Note
 This document contains information proprietary to S-Conn, which is either copyrighted, or patent applied for, and / or protected by trade secret laws.
 This document or parts thereof, may not be used disclosed or reproduced in any form by any method, or for any purpose, without the written permission of S-Conn, Taiwan

DWG. NO.	SB203A0G01
TITLE.	SMB R/A Jack PCB Type

ISO 9001 Certified
S-Conn Enterprise Co., Ltd