

1 2 3 4 5 6 7 8

REV	MODIFICATION	DATE	DRAW

F

E

D

C

B

A

F

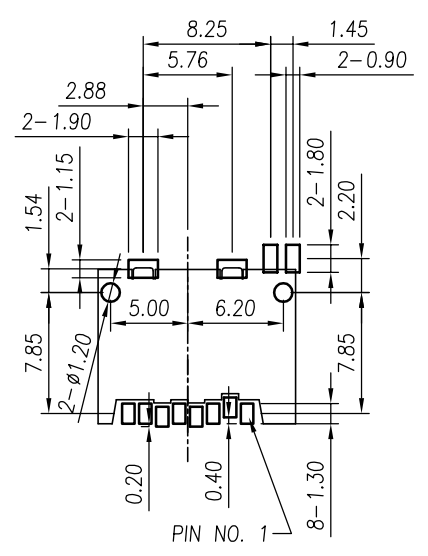
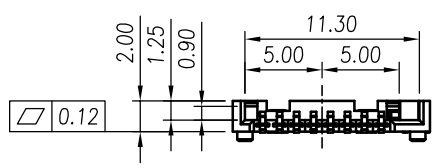
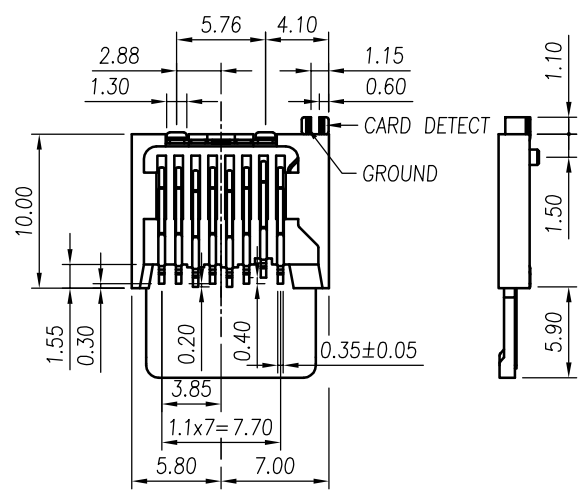
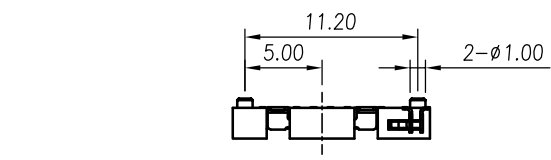
E

D

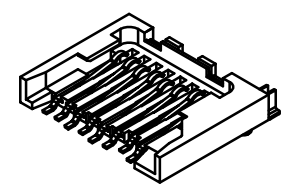
C

B

A



P.C.B Layout (Top View)



NOTES:

- 1.Material:
Housing:Thermoplastic UL94V-0
Color:Black
Contact:Phosphor Bronze.
Tin 100u" at Solder Tail,See
"Ordering Information" for Contact
Area Plating

DIMENSION IN mm [Inch]		PROD. SPEC. SP0102	TITLE MICRO SD CARD CONNECTOR MANUAL TYPE		CUSTOMER DRAWING
TOLERANCE UNLESS OTHERWISE SPECIFIED		PKG. SPEC. PPP-TFA-001	APPROVE		
.X±0.10 X*±		CHECK	DRAW		DWG NO. BXXX
.XX±0.05 .X*±			DRAW		SIZE A4
.XXX± .XX*±			DRAW		PROJ. SHEET 1 / 1
			DRAW		SCALE 2:1 REV A

Micro SD	
PIN	NAME
1	DAT2
2	CD/DAT3
3	CMD
4	VDD
5	CLK
6	VSS2
7	DAT0
8	DAT1

1 2 3 4 5 6 7 8 8F-01-R10