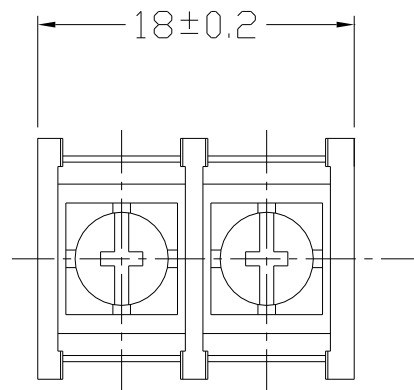
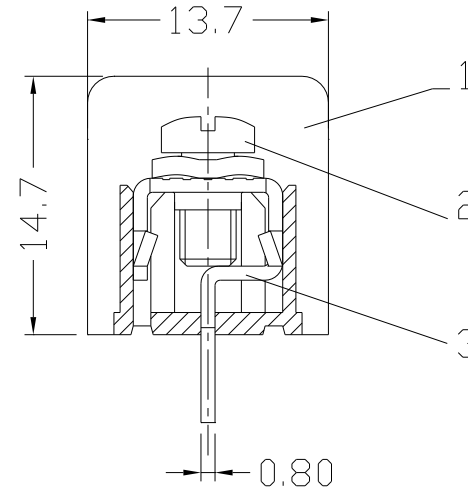
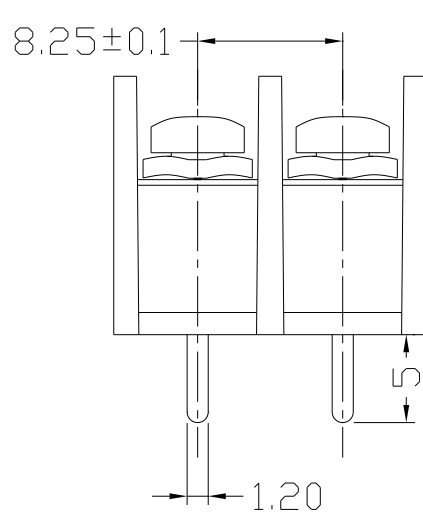


序号/RevNo.	名称/Title	文件编号/File No.
1	XY835塑件	
2	XY825螺丝	
3	XY825A端子	



**300V 15A 3.3mm<sup>2</sup>**

Poles: any poles(2p~33p)

Pitch: 8.25mm

Materials

Housing: Polyamide 6.6

Solder Pin: Brass, 0.8t, Tin Plated

Screw: M3.0, Steel, Zinc Plated.

设计/Designed by	绘图/Drawing by	审核/Checked by	批准/Approved by	未注公差 General Tolerance	
 XINYA ELECTRONIC CO.,LTD		图名/Title	文件编号/File No.	x. ±0.2	x.° ±2°
		XY835A-2P	页序/Sheet	.x ±0.1	.x° ±1°
备注/Remark				.xx ±0.05	.xx° ±0.5°
				.xxx ±0.01	
				单位/Units: mm	

序号/RevNo.	更改记录/Revision note	签名/Signature	日期/Date